



ACOUSTIC & ELECTRICAL SPECIFICATIONS:

- Nominal Impedance 8 ohms nominal per input
- Max Amp Power 100 watts total* (50WPC)
- Frequency Response 40Hz – 20kHz (–10dB)
- Sensitivity 88dB (2.83V @ 1 meter), both channels driven
- Crossover Frequency 2,600Hz

SYSTEM COMPONENTS:

- Grille 329-060-00780
- Woofer/Tweeter Assembly 16PR90CZH-FC01
6-1/2" (165mm) titanium-laminate cone w/rubber surround
- DC Resistance 5.5 ohms ±10% Each
- Tweeter Dual 3/4" (19mm) titanium-laminate domes, w/swivel mount
- DC Resistance 4.8 ohms ±10% Each
- Crossover Network 013-7600-00871

AURAL SWEEP TEST SPECIFICATIONS:

- System Aural Sweep Test 6.0V input 40Hz to 20kHz
- L.F. Aural Sweep Test 5.0V input 40Hz to 3kHz
- H.F. Aural Sweep Test 2.83V input 2kHz to 20kHz

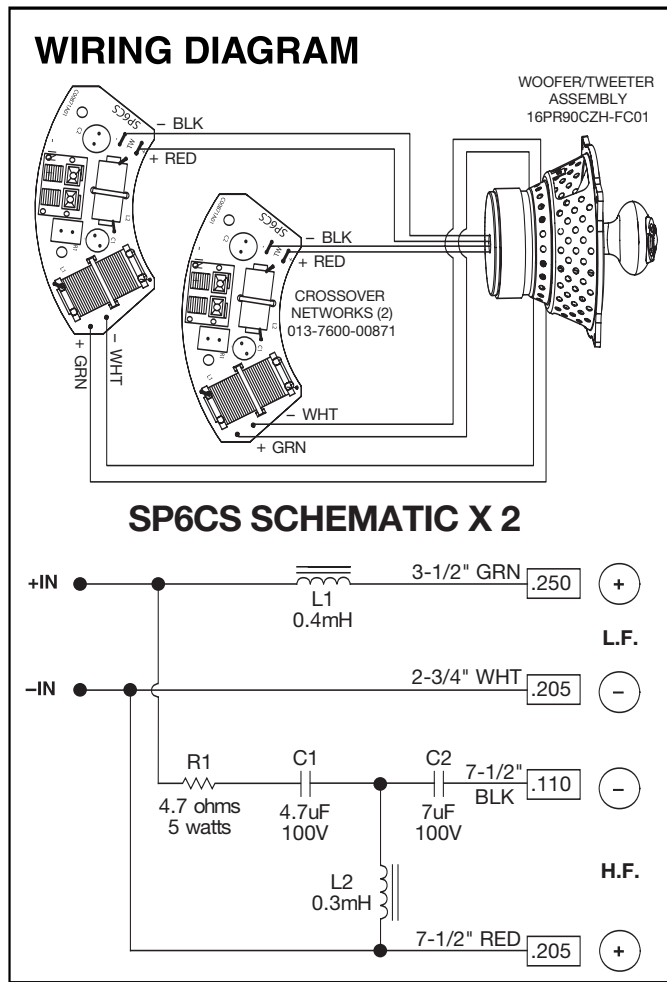
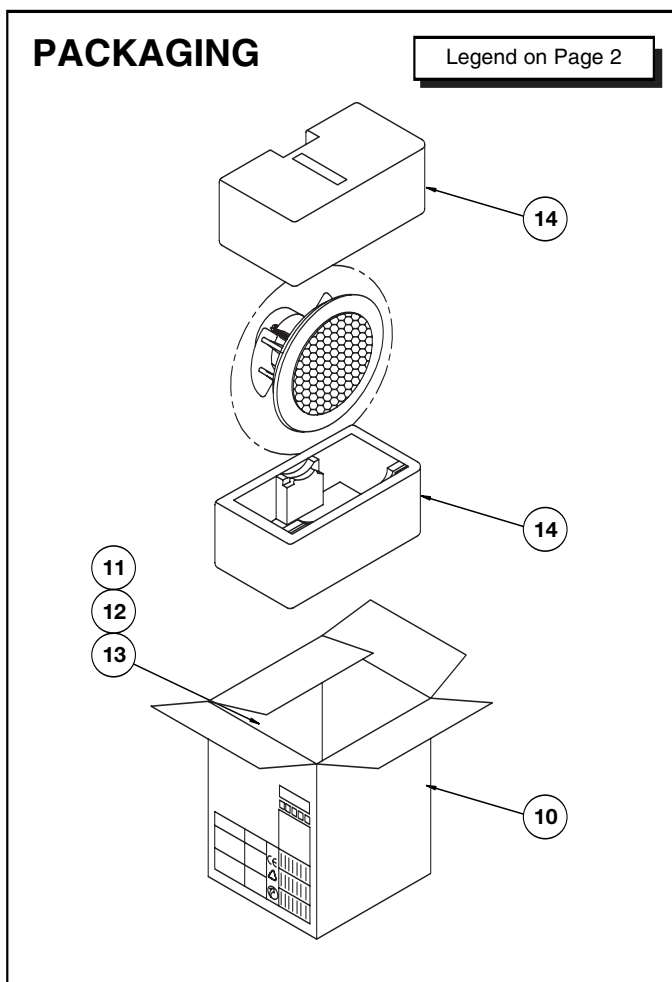
PHYSICAL SPECIFICATIONS:

- Plate Size (Dia.): 9-3/16" (233mm)
- Mounting Cutout Size (Dia.): 7-7/8" (200mm)
- Mounting Depth 4-1/4" (108mm)
- Weight 4 lb (1.8kg) Each

WARRANTY:

- Refer to Warranty Statement packed with each product.

* The maximum recommended amplifier power rating will ensure proper system headroom to allow for occasional peaks. We do not recommend sustained operation at these maximum power levels.

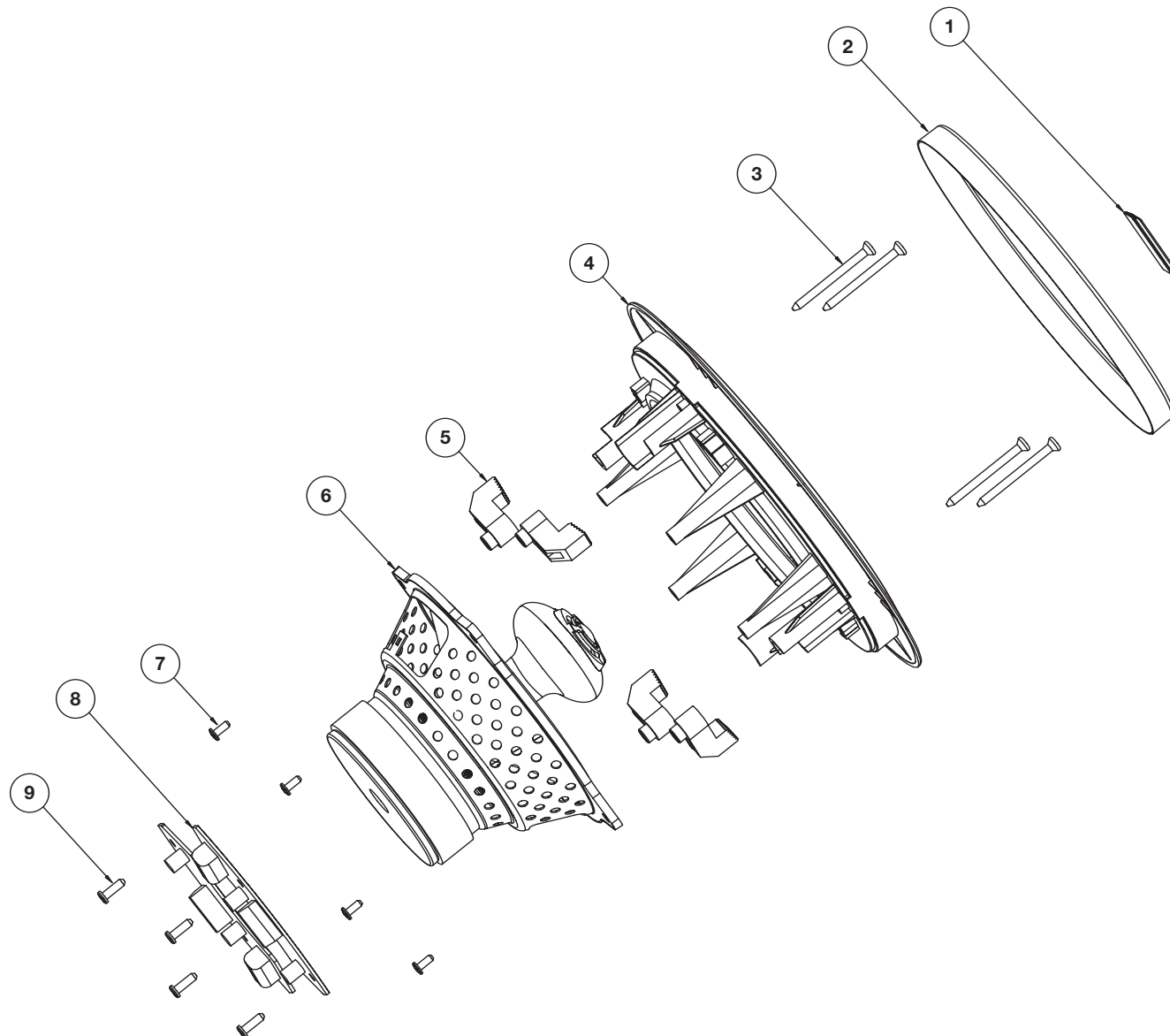


SP6CS SoundPoint Series

SP6CS SoundPoint™ Series



EXPLODED VIEW



Item	Part No.	Description	Qty.	Item	Part No.	Description	Qty.
1	316-POL-00221	LOGO SP6CS	1	8	013-7600-00871	CROSSOVER NETWORK	2
2	329-060-00780	SP6CS GRILLE	1	9	352-CM04008D144	NETWORK SCREW T4*10	4
3	352-BM04050D386	FE DOG EAR SCREW	4	10	402-000-05093	GIFT BOX SP6CS	1
4	301-ABS-00373-0WA	ABS FRONT BAFFLE	1	11	403-000-05006	CUTTING TEMPLATE SP6CS	1
5	325-ABS-00446	ABS DOG EAR 33.7*17*10	4	12	405-000-05008	WARRANTY CARD	1
6	16PR90CZH-FC01	WOOFER/TWEETER ASSEMBLY	1	13	406-000-05033	OWNER'S MANUAL	1
7	352-FM04010D462	WOOFER SCREW T4*10	4	14	431-000-05054	EPS PACKING MATERIAL SP6CS	2

SP6CS ROUGH-IN FRAME part # RIF6C

SP6CS SoundPoint Series